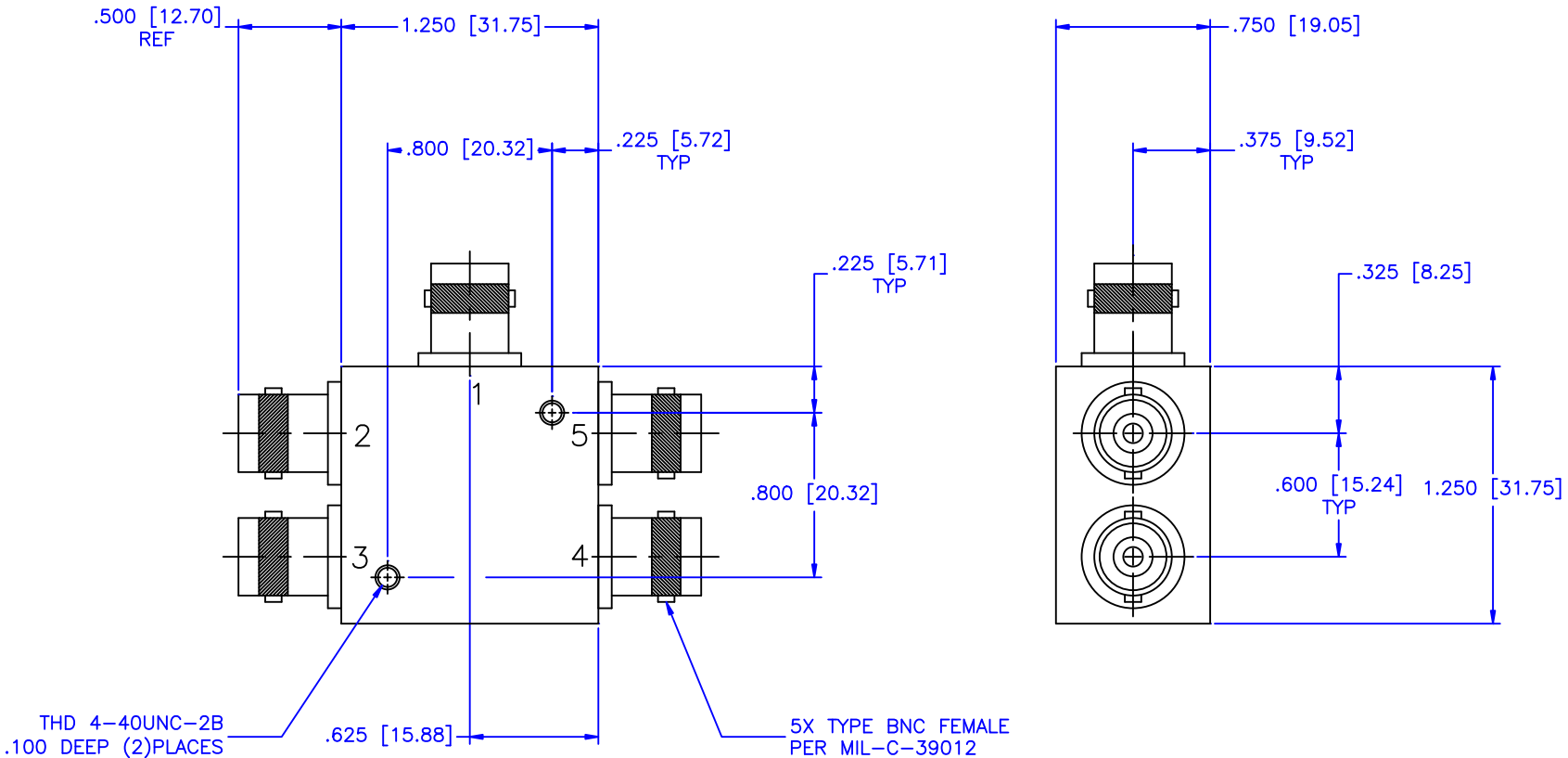


REVISIONS				
ZONE	REV	DESCRIPTION	Date	APPROVED



**SPECIFICATIONS:**

OPERATING FREQUENCY: 40-1450MHz

INSERTION LOSS(dB): TYP MAX.  
 40-750 MHz 1.7 2.2  
 750-1450MHz 2.0 2.5

ISOLATION(dB): 24 20MIN.

PHASE UNBALANCE(dB): MAX.  
 40-750MHz 3.0°  
 750-1450MHz 6.0°

AMPLITUDE UNBALANCE(dB): MAX.  
 40-750MHz 0.3  
 750-1450MHz 0.6

IMPEDANCE: 50 OHMS

INPUT POWER: 1 WATTS MAX.

OPERATING TEMP. RANGE: -20°C TO+70°C

MATERIAL:		MICROWAVE COMMUNICATIONS LABORATORIES INC. 7255 30TH AVE. N. SAINT PETERSBURG, FL 33710 TEL: (727) 344-6254 FAX: (727) 381-6116 http://WWW.MCLI.COM	SCALE: N/A
UNLESS OTHERWISE SPECIFIED: TOLERANCES IN (INCHES) OR [mm] (MILLIMETERS) FRACTIONS: ± 1/64 DECIMALS: ±.01 ±.005 ANGLE: ±1/2°			DRAWING TITLE: 4-WAY POWER DIVIDER
DRAWN: Paiboon Luekhamhan DATE: 12-20-2001	DATE: 12-20-2001	PART NO.: PL4-40/BF	SHEET: N/A
APPROVED: T. Nguyen	DATE: 12-20-2001	CAGE CODE: OD2L5 SIZE: A REV: N/A DO NOT SCALE THE DRAWING	DWG NO.: 81957