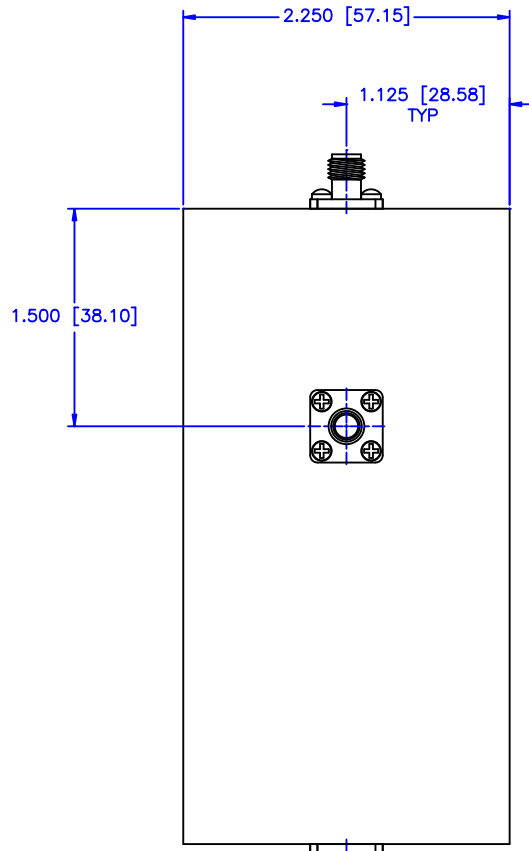
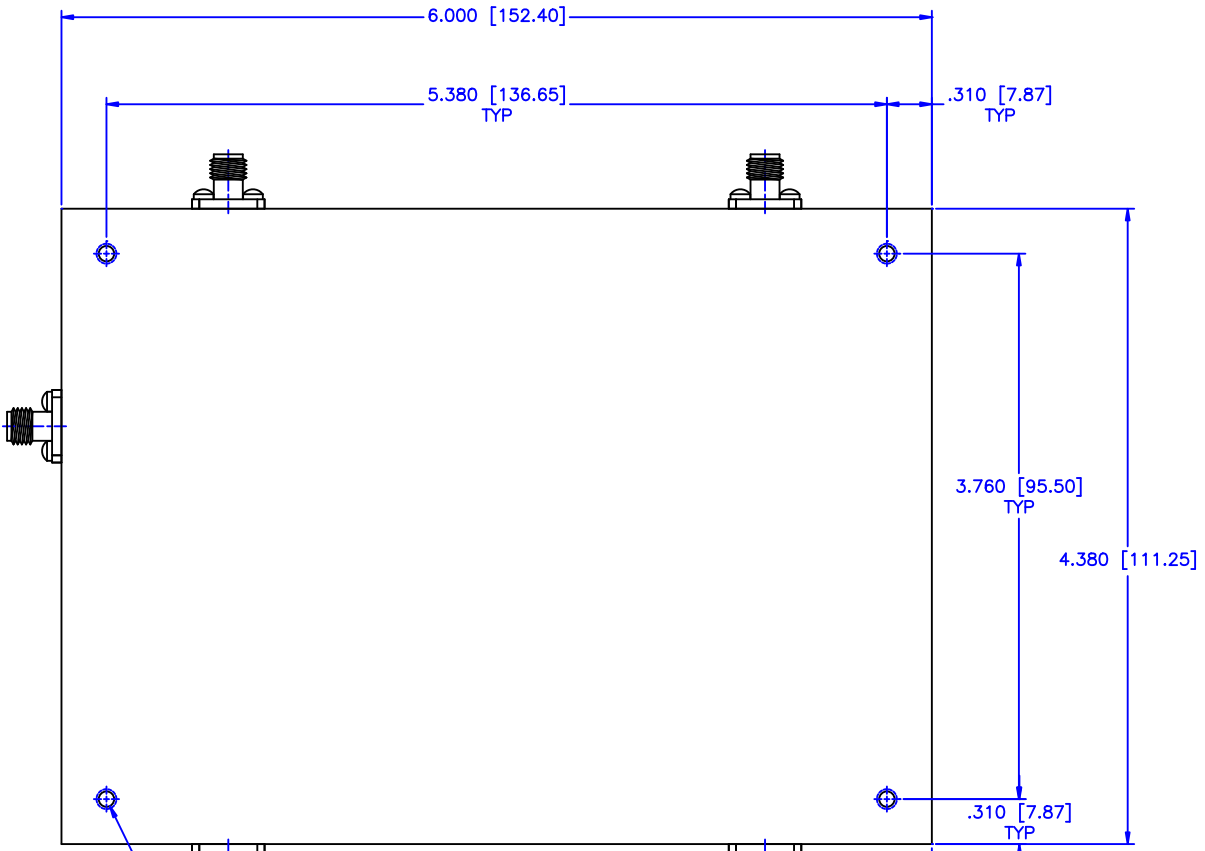


REVISIONS				
ZONE	REV	DESCRIPTION	Date	APPROVED



4X TYPE SMA FEMALE
PER MIL-C-39012



8X 6-32 X 1/4 DP
THIS SIDE & THE FAR SIDE

SPECIFICATIONS:

FREQUENCY RANGE: 1.0 TO 1000 MHz
 POWER: 50 Watt CW
 INSERTION LOSS: 1.2dB Max.
 V.S.W.R: 1.50:1 Typ
 ISOLATION: 20dB Min.
 PHASE IMBALANCE: ±6° Max.
 AMPLITUDE IMBALANCE: 0.5dB Max.

MATERIAL:	
DRAWN: Paiboon Luekhamhan	DATE: 09-24-2005
APPROVED: T. Nguyen	DATE: 09-24-2005

	MICROWAVE COMMUNICATIONS LABORATORIES INC. 7255 30TH AVE. N. SAINT PETERSBURG, FL 33710 TEL: (727) 344-6254 FAX: (727) 381-6116 http://www.MCLI.COM		SCALE: N/A
	UNLESS OTHERWISE SPECIFIED: TOLERANCES IN (INCHES) OR [mm] (MILLIMETERS) FRACTIONS: ± 1/64 DECIMALS: ±.01 ±.005 ANGLE: ±1/2°		SHEET: N/A
DRAWING TITLE: 4-WAY POWER DIVIDER			
PART NO. PL4-18/50			
GAGE CODE: OD2L5	SIZE: N/A	REV: N/A	DWG NO. 82412
DO NOT SCALE THE DRAWING			

PROPRIETARY NOTICE:
THE INFORMATION IN THIS DRAWING IS PROPRIETARY
AND SHALL NOT BE USED OR DISCLOSED WITHOUT WRITTEN
PERMISSION FROM MICROWAVE COMMUNICATIONS
LABORATORIES INC. (MCLI)

