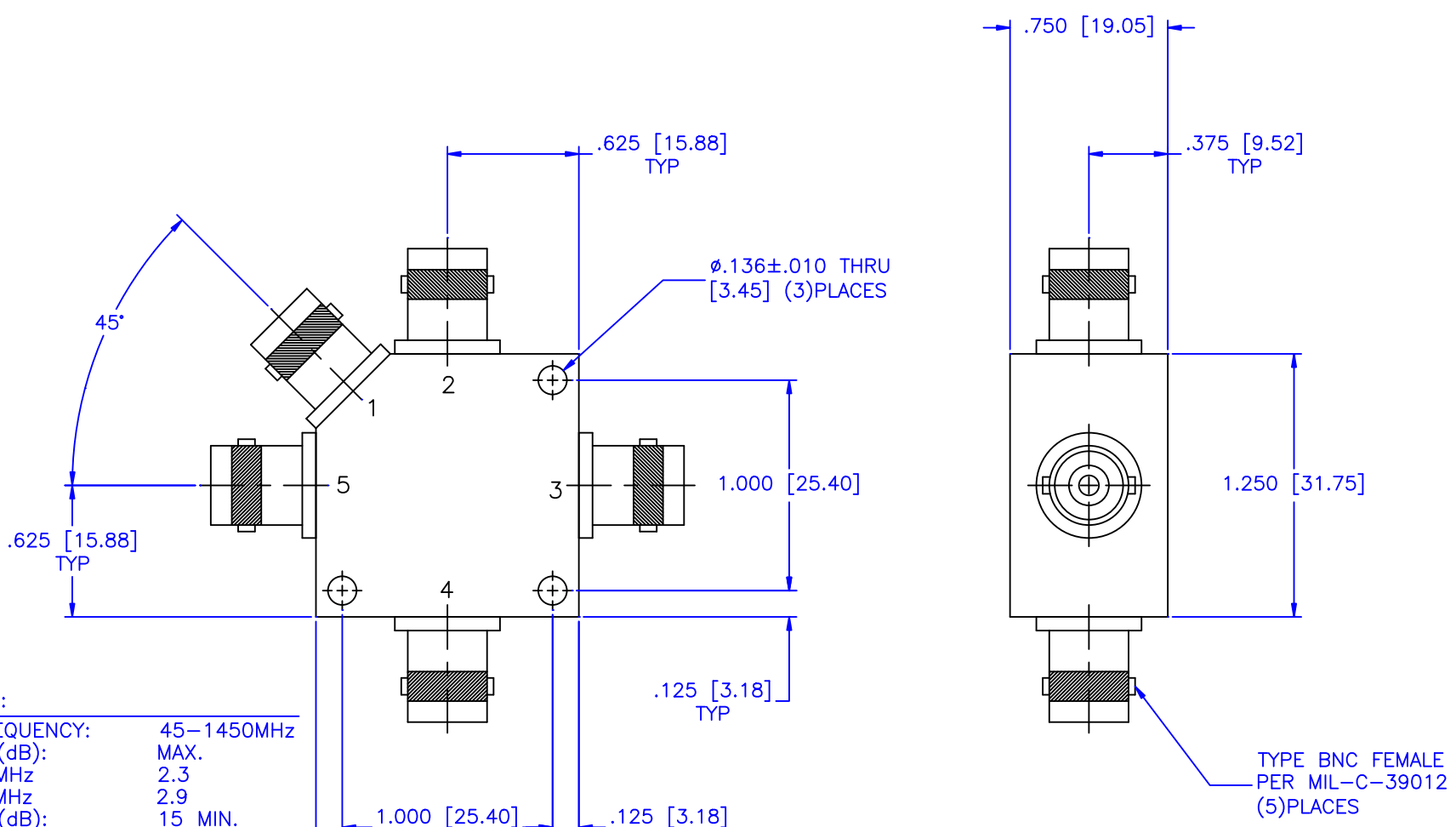


REVISIONS				
ZONE	REV	DESCRIPTION	Date	APPROVED



SPECIFICATIONS:

OPERATING FREQUENCY:	45-1450MHz
INSERTION LOSS(dB):	MAX.
45-800MHz	2.3
800-1450MHz	2.9
ISOLATION(dB):	15 MIN.
PHASE UNBALANCE(dB):	MAX.
45-800MHz	5.0°
800-1450MHz	8.0°
AMPLITUDE UNBALANCE(dB):	MAX.
45-800MHz	0.7
800-1450MHz	1.0
IMPEDANCE:	50 OHMS
INPUT POWER:	1 WATTS MAX.
OPERATING TEMP. RANGE:	-20°C TO +70°C

MATERIAL:			MICROWAVE COMMUNICATIONS LABORATORIES INC. 7255 30TH AVE. N. SAINT PETERSBURG, FL 33710 TEL: (727) 344-6254 FAX: (727) 381-6116 http://WWW.MCLI.COM		SCALE:	N/A	
			UNLESS OTHERWISE SPECIFIED: TOLERANCES IN (INCHES) OR [mm] (MILLIMETERS) FRACTIONS: $\pm 1/64$ DECIMALS: $\pm .01 \pm .005$ ANGLE: $\pm 1/2^\circ$		SHEET:	N/A	
DRAWING TITLE:		4-WAY POWER DIVIDER					
DRAWN:		DATE:		PART NO.:			
Paiboon Luekhamhan		09-04-2001		PL4-145/BF			
APPROVED:		DATE:		CAGE CODE:	SIZE:	REV:	DWG NO.:
T. Nguyen		09-04-2001		OD2L5	A	N/A	81952
		PROPRIETARY NOTICE: THE INFORMATION IN THIS DRAWING IS PROPRIETARY AND SHALL NOT BE USED OR DISCLOSED WITHOUT WRITTEN PERMISSION FROM MICROWAVE COMMUNICATIONS LABORATORIES INC. (MCLI)		DO NOT SCALE THE DRAWING			
		THIRD ANGLE PROJECTION					