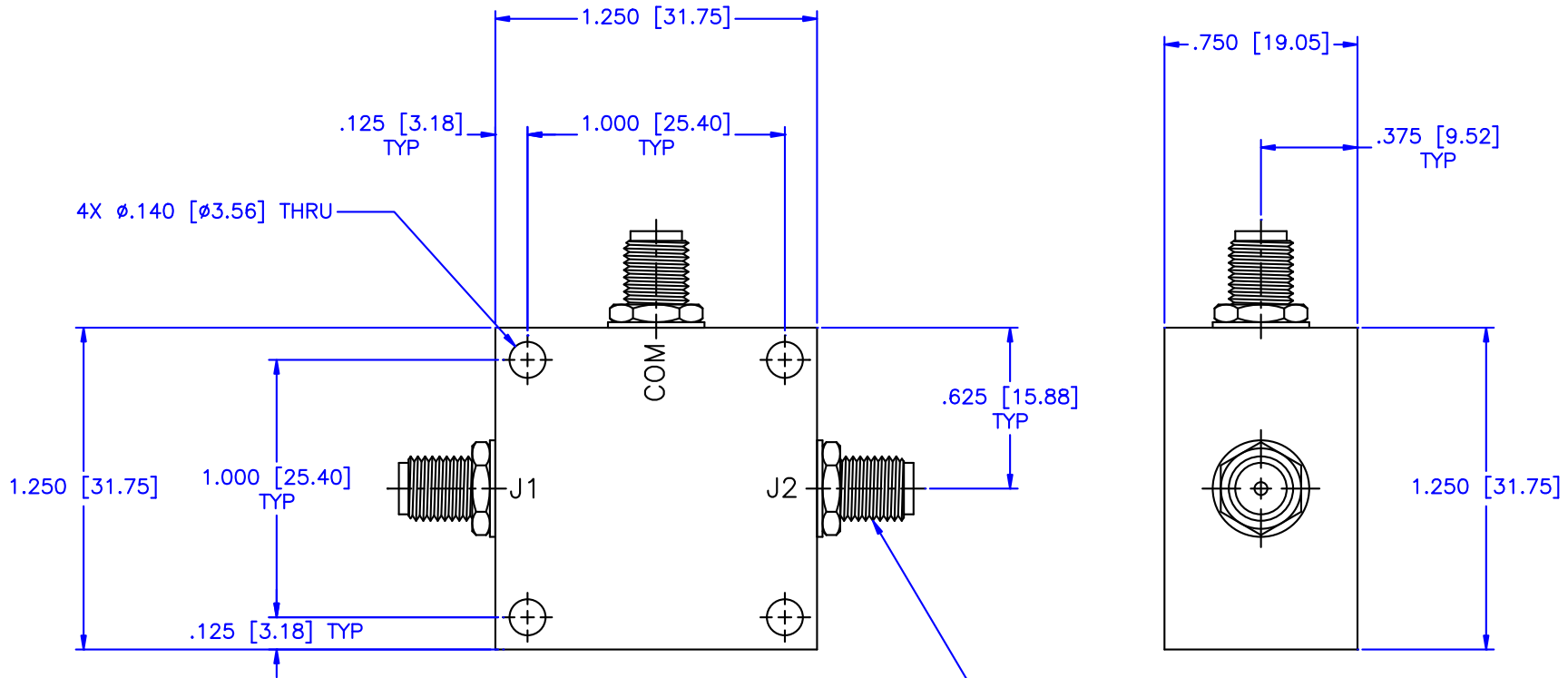


REVISIONS				
ZONE	REV	DESCRIPTION	Date	APPROVED



SPECIFICATIONS:

- Frequency Range: 100–500 MHz
- Isolation: 32dB Min.
- VSWR: 1.20:1 Max.
- Insertion Loss: 1.8dB Max.
- Amplitude Balance: ±0.2dB Max.
- Phase Balance: ±2° Max.
- Input Power: 1 Watt Max.

3X TYPE SMA FEMALE
PER MIL-C-39012

MATERIAL:			MICROWAVE COMMUNICATIONS LABORATORIES INC. 7255 30TH AVE. N. SAINT PETERSBURG, FL 33710 TEL: (727) 344-6254 FAX: (727) 381-6116 http://WWW.MCLI.COM		SCALE: N/A
					SHEET: N/A
DRAWN: Paiboon Luekhamhan		UNLESS OTHERWISE SPECIFIED: TOLERANCES IN (INCHES) OR [mm] (MILLIMETERS) FRACTIONS: ± 1/64 DECIMALS: ±.01 ±.005 ANGLE: ±1/2°		DRAWING TITLE: 2-WAY POWER DIVIDER	
		<small>PROPRIETARY NOTICE: THE INFORMATION IN THIS DRAWING IS PROPRIETARY AND SHALL NOT BE USED OR DISCLOSED WITHOUT WRITTEN PERMISSION FROM MICROWAVE COMMUNICATIONS LABORATORIES INC. (MCLI)</small>		PART NO. PL2-4	
APPROVED: T. Nguyen	DATE: 12-22-1997	THIRD ANGLE PROJECTION	CAGE CODE: OD2L5	SIZE: A	REV: N/A
			DO NOT SCALE THE DRAWING		DWG NO. 80127