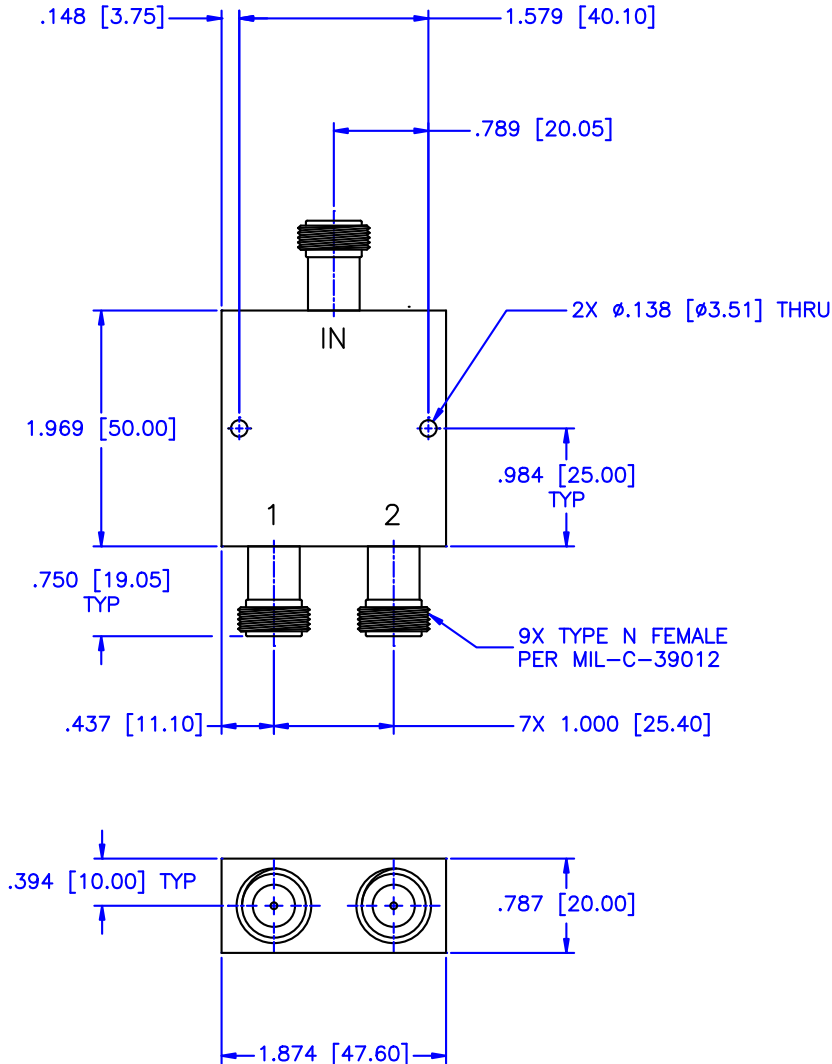


REVISIONS				
ZONE	REV	DESCRIPTION	DATE	APPROVED



SPECIFICATIONS:

- Frequency Range: 0.1 to 1.3 GHz
- Insertion Loss: 1.2dB MAX.
- Isolation: 20dB MIN.
- VSWR: 1.40:1 MAX.
- Forward Power (CW): 1 Watt MAX.
- Amplitude Balance: ±0.5 MAX.
- Phase Balance: ±5° MAX.
- Impedance: 50 Ohms

MATERIAL:		MCLI MICROWAVE COMMUNICATIONS LABORATORIES INC. 7255 30TH AVE. N. SAINT PETERSBURG, FL 33710 TEL: (727) 344-8254 FAX: (727) 381-8116 http://www.mcli.com	SCALE: N/A
			SHEET: N/A
DRAWING TITLE:		2-WAY POWER DIVIDER, STAINLESS STEEL NF CONNECTORS	
DRAWING: Paiboon Luekhamhan		PART NO. PL2-33/NF	
DATE: 06-03-2009		DRAWING NO. 0D2L5	
APPROVED: T. Nguyen		DATE: 06-03-2009	
CAGE CODE: 0D2L5		SIZE: N/A	REV: N/A
DO NOT SCALE THE DRAWING		DWG NO. 84533	