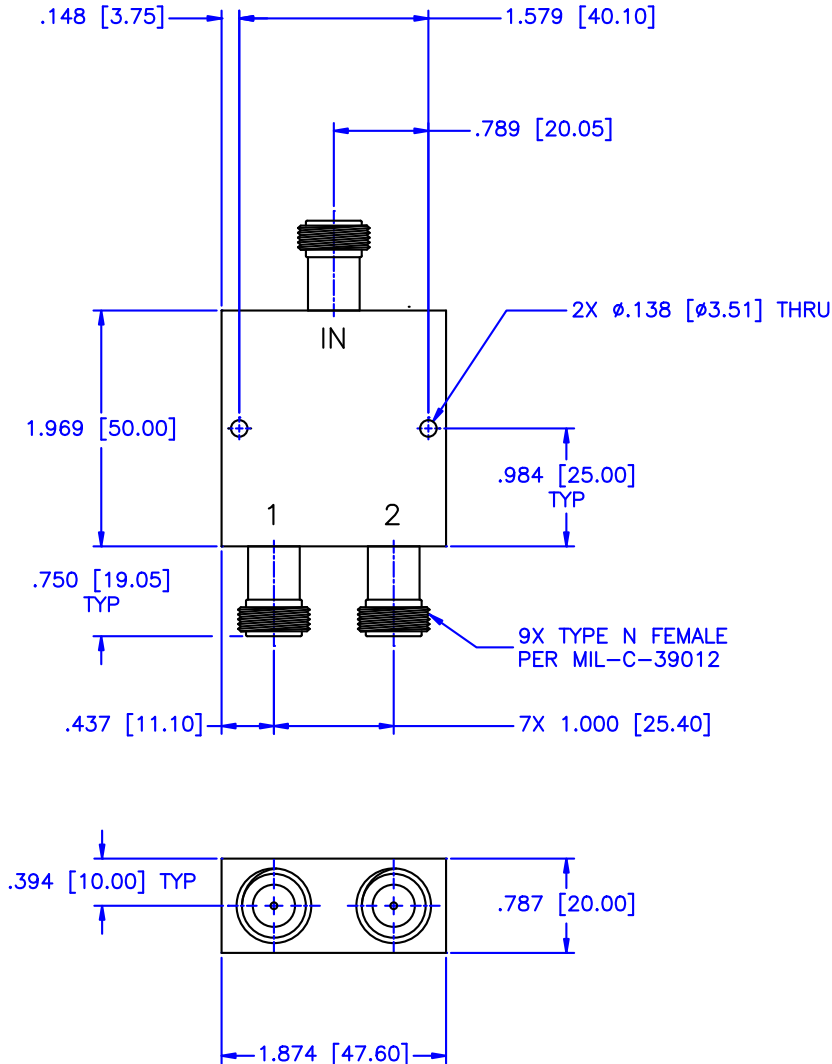


REVISIONS				
ZONE	REV	DESCRIPTION	DATE	APPROVED



SPECIFICATIONS:

- Frequency Range: 0.02 to 1.0 GHz
- Insertion Loss: 1.1dB MAX.
- Isolation: 20dB MIN.
- VSWR: 1.30:1 MAX.
- Forward Power (CW): 0.5 Watt MAX.
- Amplitude Balance: ±0.4 MAX.
- Phase Balance: ±3° MAX.
- Impedance: 50 Ohms

MATERIAL:		MCLI MICROWAVE COMMUNICATIONS LABORATORIES INC. 7255 30TH AVE. N. SAINT PETERSBURG, FL 33710 TEL: (727) 344-8254 FAX: (727) 381-8116 http://www.mcli.com	SCALE: N/A
UNLESS OTHERWISE SPECIFIED: TOLERANCES IN (INCHES) OR (mm) (MILLIMETERS) FRACTIONS: ± 1/64 DECIMALS: ±.01 ±.005 ANGLE: ±1/2°			SHEET: N/A
DRAWING TITLE: 2-WAY POWER DIVIDER, STAINLESS STEEL NF CONNECTORS		PART NO.:	
DRAWING: Paiboon Luekhamhan		DATE: 06-03-2009	
APPROVED: T. Nguyen		DATE: 06-03-2009	
DRAWING NO.:		DRAWING TITLE:	
CAGE CODE: 0D2L5		SIZE: N/A	REV: N/A
DO NOT SCALE THE DRAWING		DWG NO. 84532	