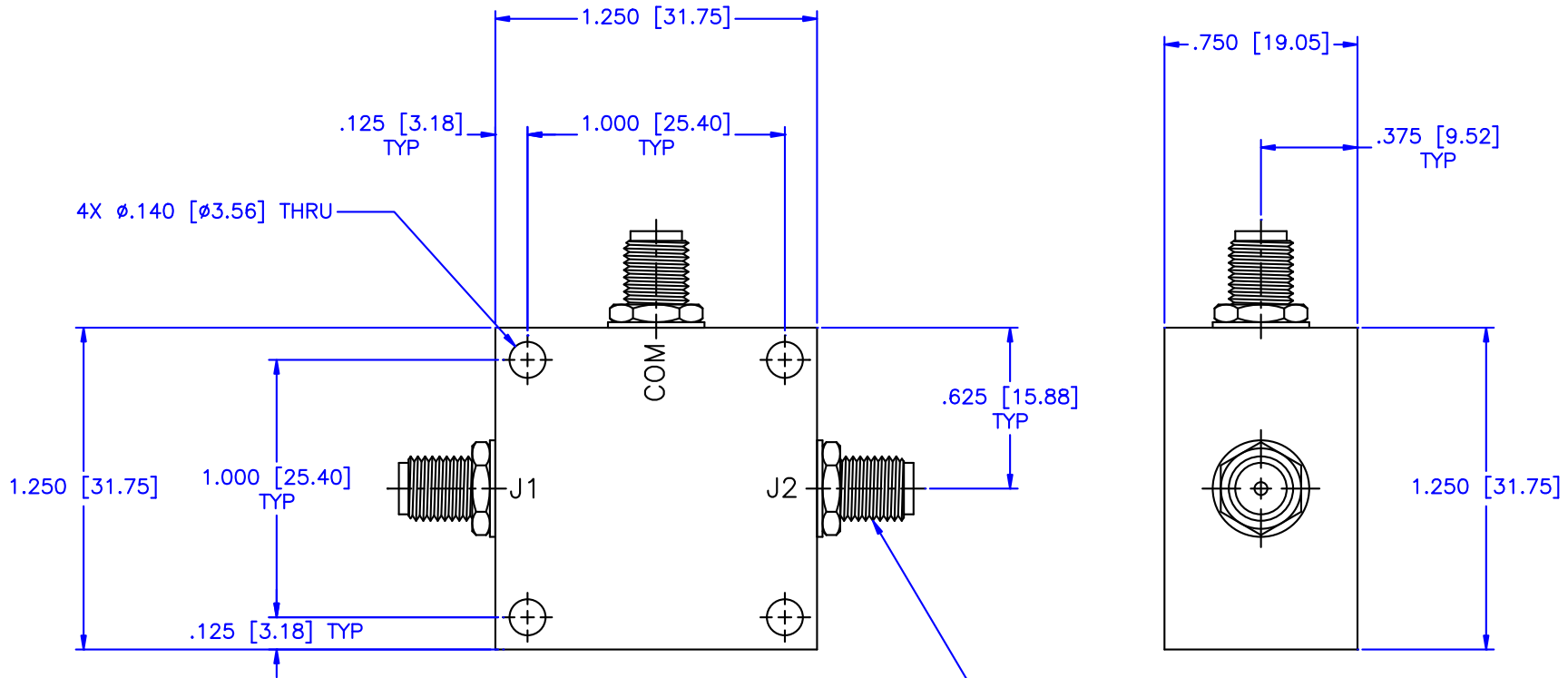


REVISIONS				
ZONE	REV	DESCRIPTION	Date	APPROVED



**SPECIFICATIONS:**

- Frequency Range: 5–500 MHz
- Isolation: 28dB Min.
- VSWR: 1.30:1 Max.
- Insertion Loss: 0.7dB Max.
- Amplitude Balance: ±0.2dB Max.
- Phase Balance: ±2° Max.
- Input Power: 1 Watt Max.

3X TYPE SMA FEMALE  
PER MIL-C-39012

MATERIAL:		<b>MCLI</b> MICROWAVE COMMUNICATIONS LABORATORIES INC. 7255 30TH AVE. N. SAINT PETERSBURG, FL 33710 TEL: (727) 344-6254 FAX: (727) 381-6116 <a href="http://WWW.MCLI.COM">http://WWW.MCLI.COM</a>	SCALE:	N/A
			SHEET:	N/A
UNLESS OTHERWISE SPECIFIED: TOLERANCES IN (INCHES) OR [mm] (MILLIMETERS) FRACTIONS: ± 1/64 DECIMALS: ±.01 ±.005 ANGLE: ±1/2°		DRAWING TITLE: <b>2-WAY POWER DIVIDER</b>		
DRAWN: Paiboon Luekhamhan		PART NO. <b>PL2-3</b>		
DATE: 12-22-1997	DATE: 12-22-1997	CAGE CODE: OD2L5	SIZE: A	REV: N/A
APPROVED: T. Nguyen	DATE: 12-22-1997	DO NOT SCALE THE DRAWING		DWG NO. 80126