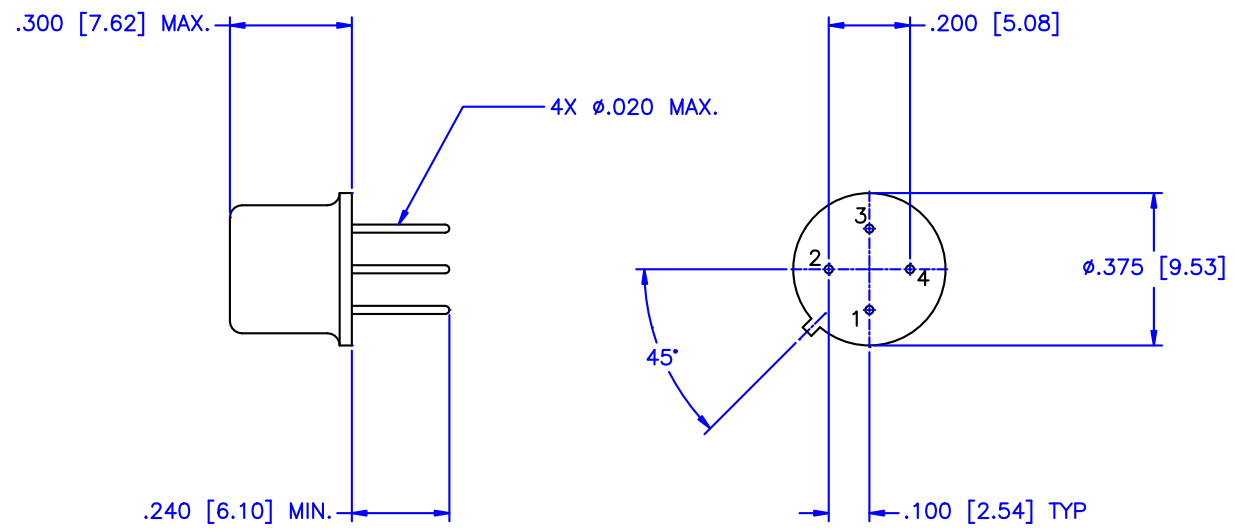


| REVISIONS |     |             |      |          |
|-----------|-----|-------------|------|----------|
| ZONE      | REV | DESCRIPTION | Date | APPROVED |
|           |     |             |      |          |



SPECIFICATIONS:

- Frequency Range: 1 to 100 MHz
- Isolation: 30dB Min.
- Insertion loss: 0.50dB Max.
- Phase Unbalance: ±1dB Max.
- Amplitude Unbalance: ±0.1dB Max.
- Power Rating: 1 Watt Max.

| PIN-OUT TABLE |        |        |
|---------------|--------|--------|
| INPUT         | OUTPUT | GROUND |
| 3             | 2,4    | 1,5    |

|                    |  |   |  |  |  |                          |      |         |
|--------------------|--|---|--|--|--|--------------------------|------|---------|
| MATERIAL:          |  |   |  | MICROWAVE COMMUNICATIONS LABORATORIES INC.<br>7255 30TH AVE. N. SAINT PETERSBURG, FL 33710<br>TEL: (727) 344-6254 FAX: (727) 381-6116<br>http://WWW.MCLI.COM                 |  | SCALE:                   | N/A  |         |
|                    |  | UNLESS OTHERWISE SPECIFIED:<br>TOLERANCES<br>IN (INCHES) OR [mm] (MILLIMETERS)<br>FRACTIONS: ± 1/64<br>DECIMALS: ±.01 ±.005<br>ANGLE: ±1/2° |  | DRAWING TITLE:   |  | 2-WAY POWER DIVIDER      |      |         |
| DRAWN:             |  | DATE:   |  | PROPERTY NOTICE:   |  | PART NO.                 |      |         |
| Paiboon Luekhamhan |  | 08-22-2008  |  | THE INFORMATION IN THIS DRAWING IS PROPRIETARY<br>AND SHALL NOT BE USED OR DISCLOSED WITHOUT WRITTEN<br>PERMISSION FROM MICROWAVE COMMUNICATIONS<br>LABORATORIES INC. (MCLI) |  | PL2-2TS                  |      |         |
| APPROVED:          |  | DATE:   |  | CAGE CODE:   |  | SIZE:                    | REV: | DWG NO. |
| T. Nguyen          |  | 08-22-2008  |  | OD2L5  |  | N/A                      | N/A  | 84031   |
|                    |  |   |  |  |  | DO NOT SCALE THE DRAWING |      |         |