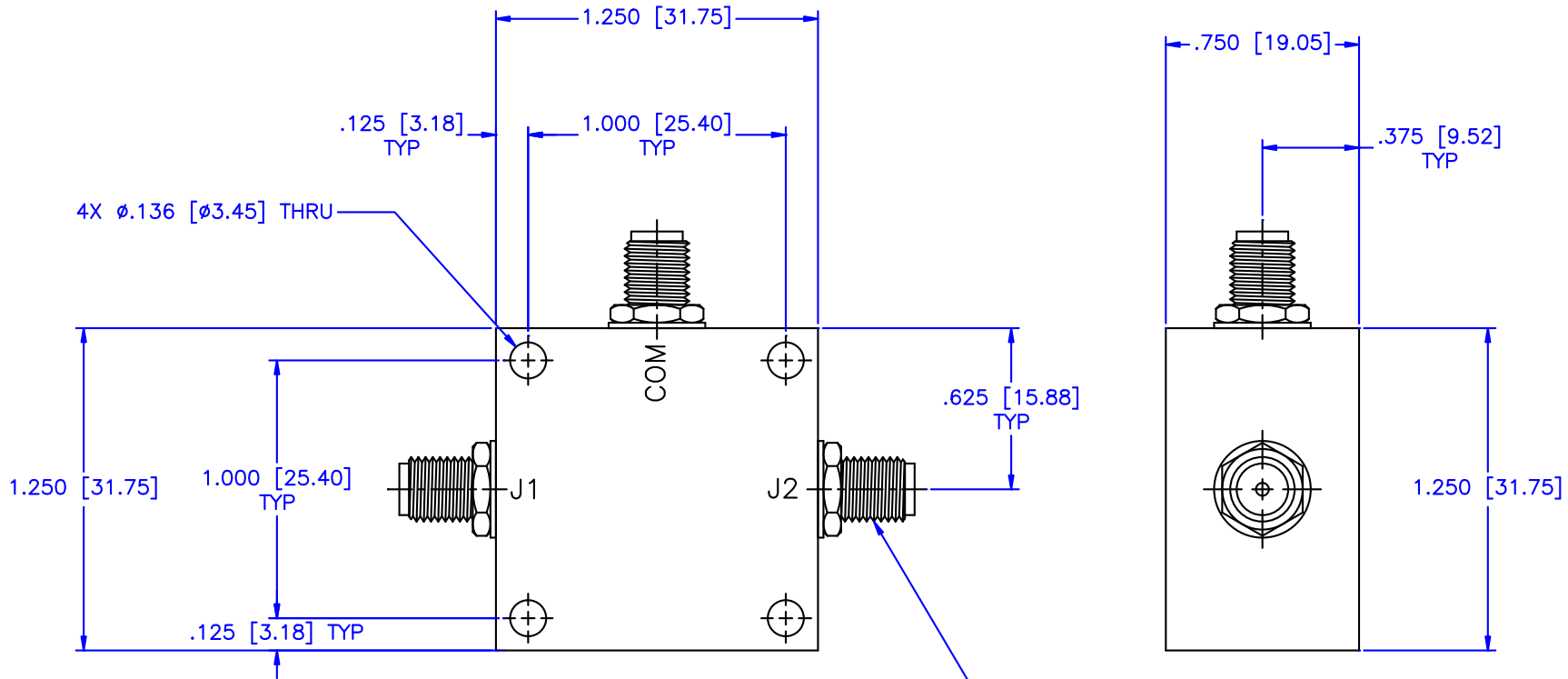


REVISIONS				
ZONE	REV	DESCRIPTION	Date	APPROVED



**SPECIFICATIONS:**

- Frequency Range: 0.01 to 100 MHz
- Isolation: 20dB Min.
- Insertion Loss: 1.0dB Max.
- Amplitude Unbalance:  $\pm 0.2$ dB Max.
- Phase Unbalance:  $\pm 2^\circ$  Max.
- Input Power: (vswr@1.2) 1 Watt Max.

3X TYPE SMA FEMALE  
PER MIL-C-39012

MATERIAL:		<b>MCLI</b> MICROWAVE COMMUNICATIONS LABORATORIES INC. 7255 30TH AVE. N. SAINT PETERSBURG, FL 33710 TEL: (727) 344-6254 FAX: (727) 381-6116 <a href="http://WWW.MCLI.COM">http://WWW.MCLI.COM</a>	SCALE: N/A
			SHEET: N/A
UNLESS OTHERWISE SPECIFIED: TOLERANCES IN (INCHES) OR [mm] (MILLIMETERS) FRACTIONS: $\pm 1/64$ DECIMALS: $\pm 0.01 \pm 0.005$ ANGLE: $\pm 1/2^\circ$		DRAWING TITLE: <b>2-WAY POWER DIVIDER</b>	
DRAWN: Paiboon Luekhamhan		PART NO.: PL2-20	
DATE: 05-20-2009		CAGE CODE: OD2L5	
APPROVED: T. Nguyen		DATE: 05-20-2009	
PROPRIETARY NOTICE: THE INFORMATION IN THIS DRAWING IS PROPRIETARY AND SHALL NOT BE USED OR DISCLOSED WITHOUT WRITTEN PERMISSION FROM MICROWAVE COMMUNICATIONS LABORATORIES INC. (MCLI)		SIZE: A REV: N/A DO NOT SCALE THE DRAWING	DWG NO.: 84499