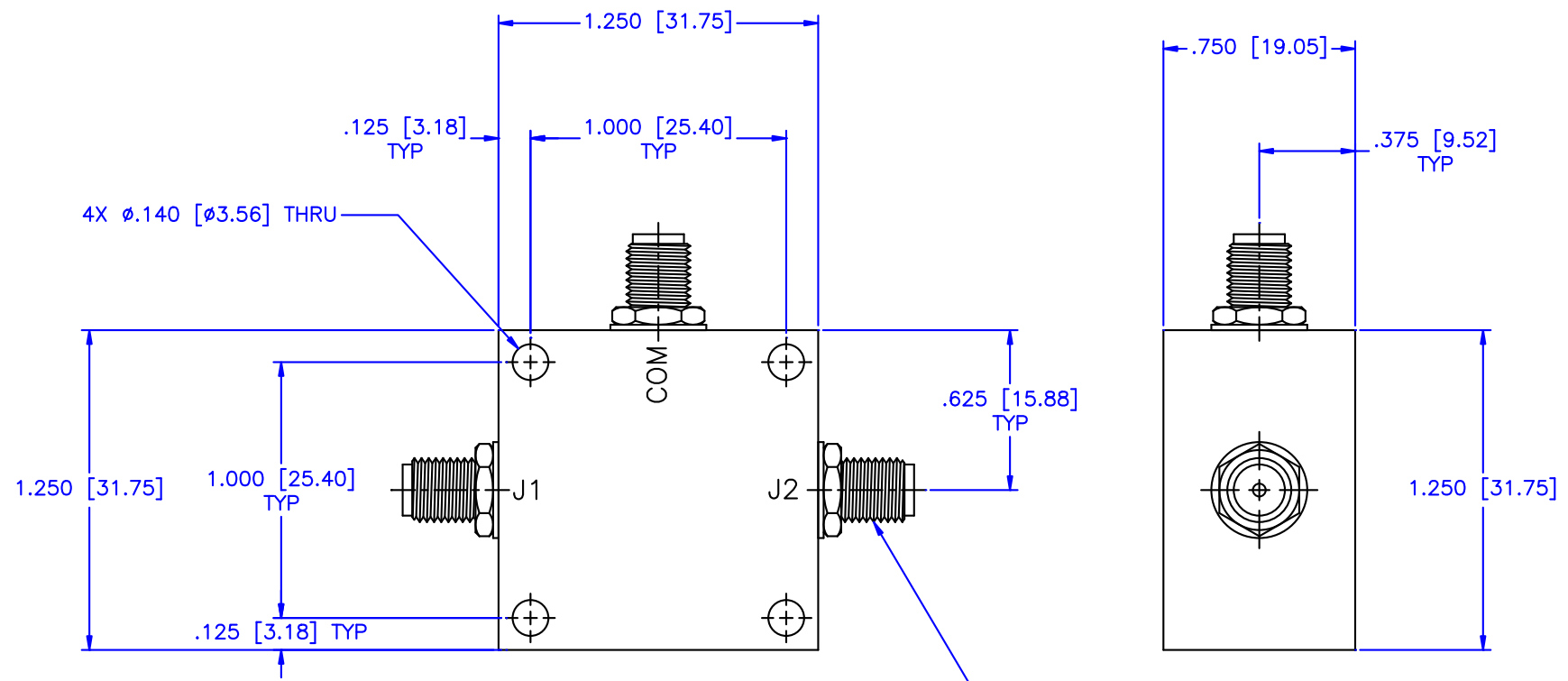


| REVISIONS |     |             |      |          |
|-----------|-----|-------------|------|----------|
| ZONE      | REV | DESCRIPTION | Date | APPROVED |



**SPECIFICATIONS:**

- Frequency Range: 400 to 2700 MHz
- Isolation: 16dB Min.
- VSWR: 1.55:1 Max.
- Insertion Loss: 2.4dB Max.
- Amplitude Unbalance: ±0.4dB Max.
- Phase Unbalance: ±5° Max.
- Input Power: (vswr@1.2) 1 Watt Max.

3X TYPE SMA FEMALE  
PER MIL-C-39012

|                           |                  |  |  |         |            |               |
|---------------------------|------------------|--|--|---------|------------|---------------|
| MATERIAL:                 |                  |  | MICROWAVE COMMUNICATIONS LABORATORIES INC.<br>7255 30TH AVE. N. SAINT PETERSBURG, FL 33710<br>TEL: (727) 344-6254 FAX: (727) 381-6116<br>http://WWW.MCLI.COM |         | SCALE: N/A |               |
|                           |                  |  | UNLESS OTHERWISE SPECIFIED:<br>TOLERANCES<br>IN (INCHES) OR [mm] (MILLIMETERS)<br>FRACTIONS: ± 1/64<br>DECIMALS: ±.01 ±.005<br>ANGLE: ±1/2°                  |         | SHEET: N/A |               |
| DRAWING TITLE:            |                  | 2-WAY POWER DIVIDER  |  |         |            |               |
| PART NO.:                 |                  | PL2-18   |  |         |            |               |
| DRAWN: Paiboon Luekhamhan | DATE: 05-20-2009 | <small>PROPRIETARY NOTICE:</small><br><small>THE INFORMATION IN THIS DRAWING IS PROPRIETARY AND SHALL NOT BE USED OR DISCLOSED WITHOUT WRITTEN PERMISSION FROM MICROWAVE COMMUNICATIONS LABORATORIES INC. (MCLI)</small><br> | CAGE CODE: OD2L5   | SIZE: A | REV: N/A   | DWG NO. 84498 |
| APPROVED: T. Nguyen       | DATE: 05-20-2009 |  | DO NOT SCALE THE DRAWING   |         |            |               |