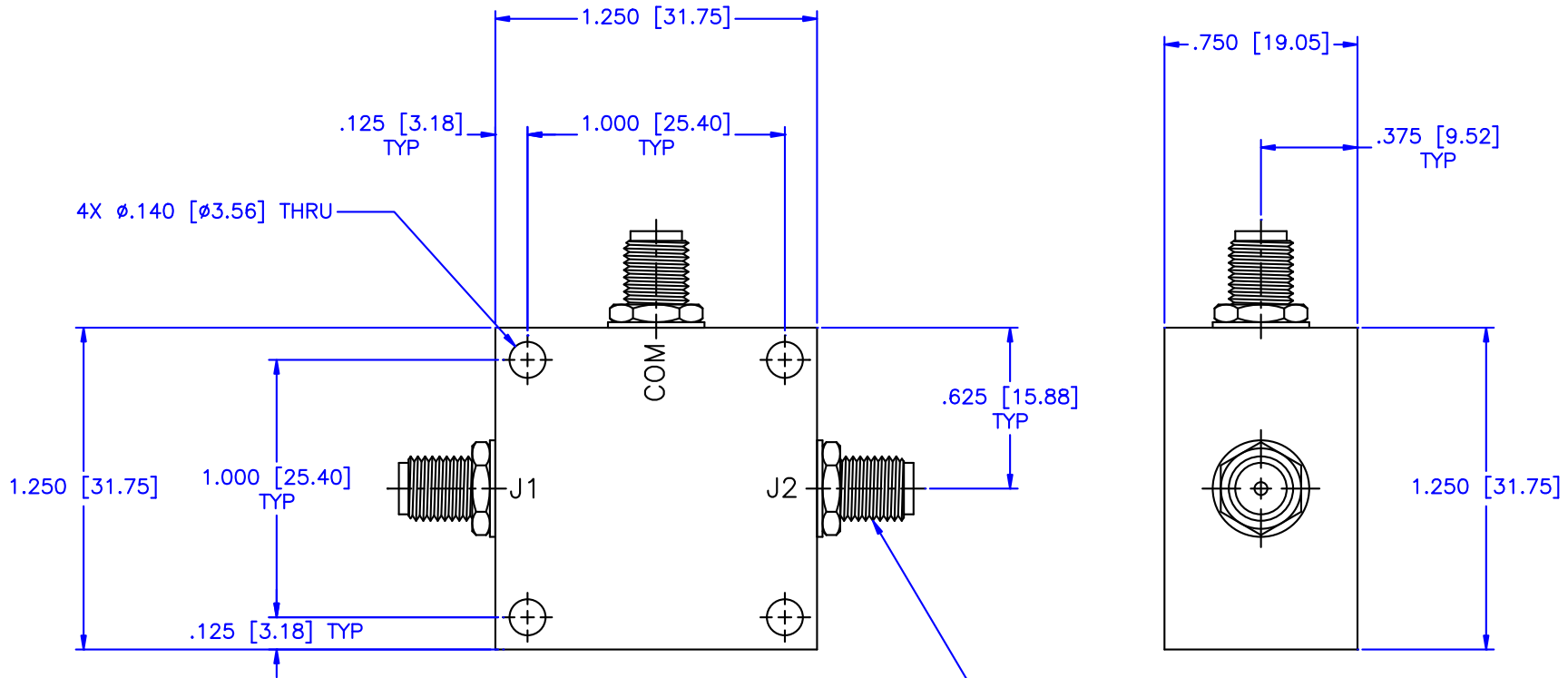


REVISIONS				
ZONE	REV	DESCRIPTION	Date	APPROVED



**SPECIFICATIONS:**

- Frequency Range: 5 to 3000 MHz
- Isolation: 15dB Min.
- VSWR: 1.60:1 Max.
- Insertion Loss: 2.5dB Max.
- Amplitude Unbalance: ±0.5dB Max.
- Phase Unbalance: ±6° Max.
- Input Power: (vswr@1.2) 1 Watt Max.

3X TYPE SMA FEMALE  
PER MIL-C-39012

MATERIAL:			MICROWAVE COMMUNICATIONS LABORATORIES INC. 7255 30TH AVE. N. SAINT PETERSBURG, FL 33710 TEL: (727) 344-6254 FAX: (727) 381-6116 http://WWW.MCLI.COM		SCALE: N/A
					SHEET: N/A
		UNLESS OTHERWISE SPECIFIED: TOLERANCES IN (INCHES) OR [mm] (MILLIMETERS) FRACTIONS: ± 1/64 DECIMALS: ±.01 ±.005 ANGLE: ±1/2°	DRAWING TITLE: <b>2-WAY POWER DIVIDER</b>		
DRAWN: Paiboon Luekhamhan		DATE: 05-20-2009	PART NO. <b>PL2-17</b>		
APPROVED: T. Nguyen		DATE: 05-20-2009	CAGE CODE: OD2L5	SIZE: A	REV: N/A
		<small>PROPRIETARY NOTICE: THE INFORMATION IN THIS DRAWING IS PROPRIETARY AND SHALL NOT BE USED OR DISCLOSED WITHOUT WRITTEN PERMISSION FROM MICROWAVE COMMUNICATIONS LABORATORIES INC. (MCLI)</small> 	DWG NO. <b>84496</b>		DO NOT SCALE THE DRAWING