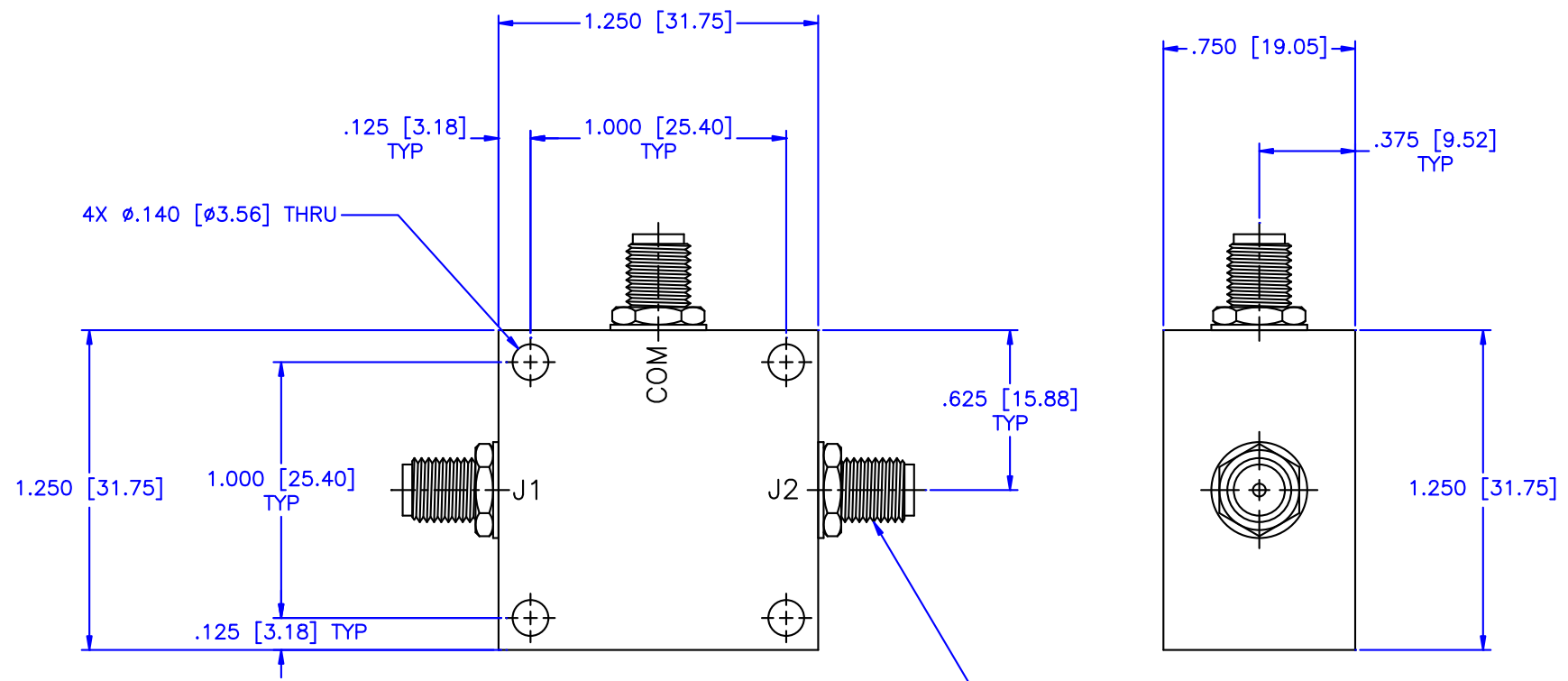


REVISIONS				
ZONE	REV	DESCRIPTION	Date	APPROVED



SPECIFICATIONS:

- Frequency Range: 0.1 to 400 MHz
- Isolation: 25dB Min.
- VSWR: 1.30:1 Max.
- Insertion Loss: 0.8dB Max.
- Amplitude Unbalance: ±0.3dB Max.
- Phase Unbalance: ±2° Max.
- Input Power: (vswr@1.2) 1 Watt Max.

3X TYPE SMA FEMALE
PER MIL-C-39012

MATERIAL:			MICROWAVE COMMUNICATIONS LABORATORIES INC. 7255 30TH AVE. N. SAINT PETERSBURG, FL 33710 TEL: (727) 344-6254 FAX: (727) 381-6116 http://WWW.MCLI.COM		SCALE: N/A
					SHEET: N/A
DRAWN: Paiboon Luekhamhan DATE: 05-20-2009		UNLESS OTHERWISE SPECIFIED: TOLERANCES IN (INCHES) OR [mm] (MILLIMETERS) FRACTIONS: ± 1/64 DECIMALS: ±.01 ±.005 ANGLE: ±1/2°		DRAWING TITLE: 2-WAY POWER DIVIDER	
		<small>PROPRIETARY NOTICE: THE INFORMATION IN THIS DRAWING IS PROPRIETARY AND SHALL NOT BE USED OR DISCLOSED WITHOUT WRITTEN PERMISSION FROM MICROWAVE COMMUNICATIONS LABORATORIES INC. (MCLI)</small>		PART NO. PL2-15	
APPROVED: T. Nguyen	DATE: 05-20-2009		CAGE CODE: OD2L5	SIZE: A	REV: N/A
			DO NOT SCALE THE DRAWING		DWG NO. 84497