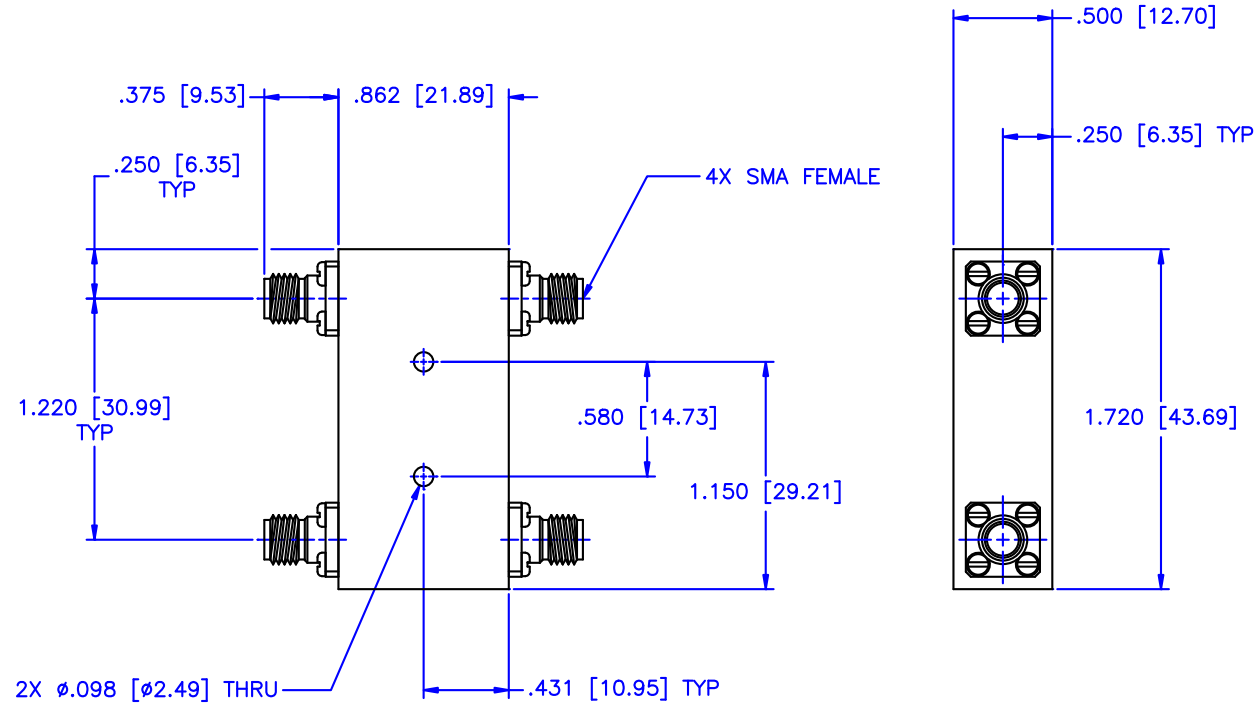


REVISIONS				
ZONE	REV	DESCRIPTION	DATE	APPROVED



SPECIFICATIONS:

- Frequency Range: 6–26.5 GHz
- Insertion Loss: 1.5dB Max.
- Isolation: 15dB Min.
- Phase Balance: $\pm 8^\circ$
- Amplitude Balance: $\pm 0.6\text{dB}$
- VSWR: 1.60:1 Max.
- Coupling: 3dB Typ.
- Power: 20 Watts Avg. / 3kW Peak
- Operating Temperature: -32°C to $+85^\circ\text{C}$

MATERIAL:			MICROWAVE COMMUNICATIONS LABORATORIES INC. 7255 30TH AVE. N. SAINT PETERSBURG, FL 33710 TEL: (727) 344-6254 FAX: (727) 381-6116 http://WWW.MCLI.COM		SCALE:	N/A
			UNLESS OTHERWISE SPECIFIED: TOLERANCES IN (INCHES) OR [mm] (MILLIMETERS) FRACTIONS: $\pm 1/64$ DECIMALS: $\pm 0.01 \pm 0.005$ ANGLE: $\pm 1/2^\circ$		DRAWING TITLE:	
DRAWN:		DATE:	PART NO.:		HB-23	
Paiboon Luekhamhan 01-13-2011		PROPRIETARY NOTICE: THE INFORMATION IN THIS DRAWING IS PROPRIETARY AND SHALL NOT BE USED OR DISCLOSED WITHOUT WRITTEN PERMISSION FROM MICROWAVE COMMUNICATIONS LABORATORIES INC. (MCLI)	CAGE CODE:		SIZE:	REV:
APPROVED: T. Nguyen 01-13-2011		THIRD ANGLE PROJECTION 	OD2L5	A	A	DWG NO.:
					DO NOT SCALE THE DRAWING	
					82901	